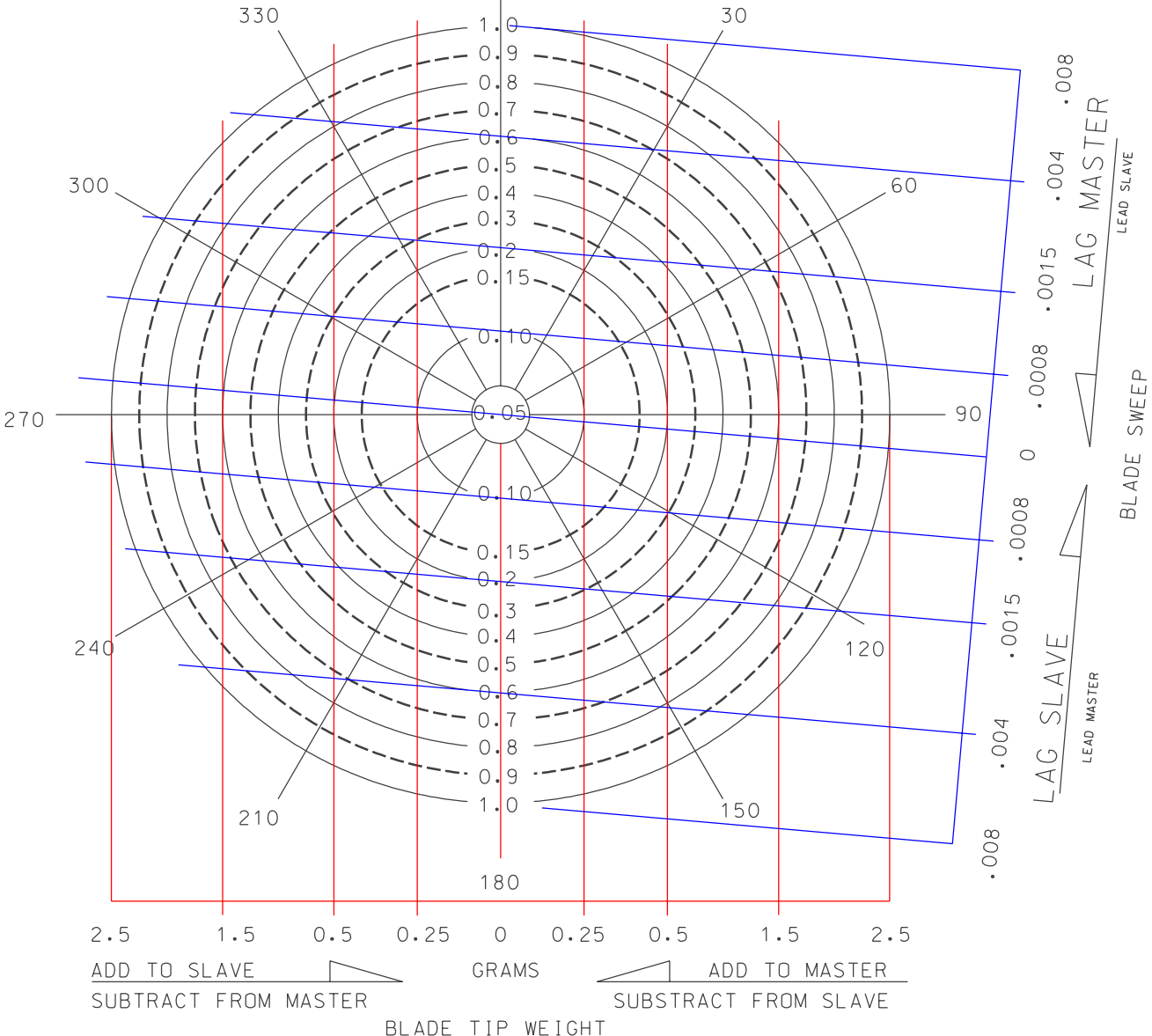
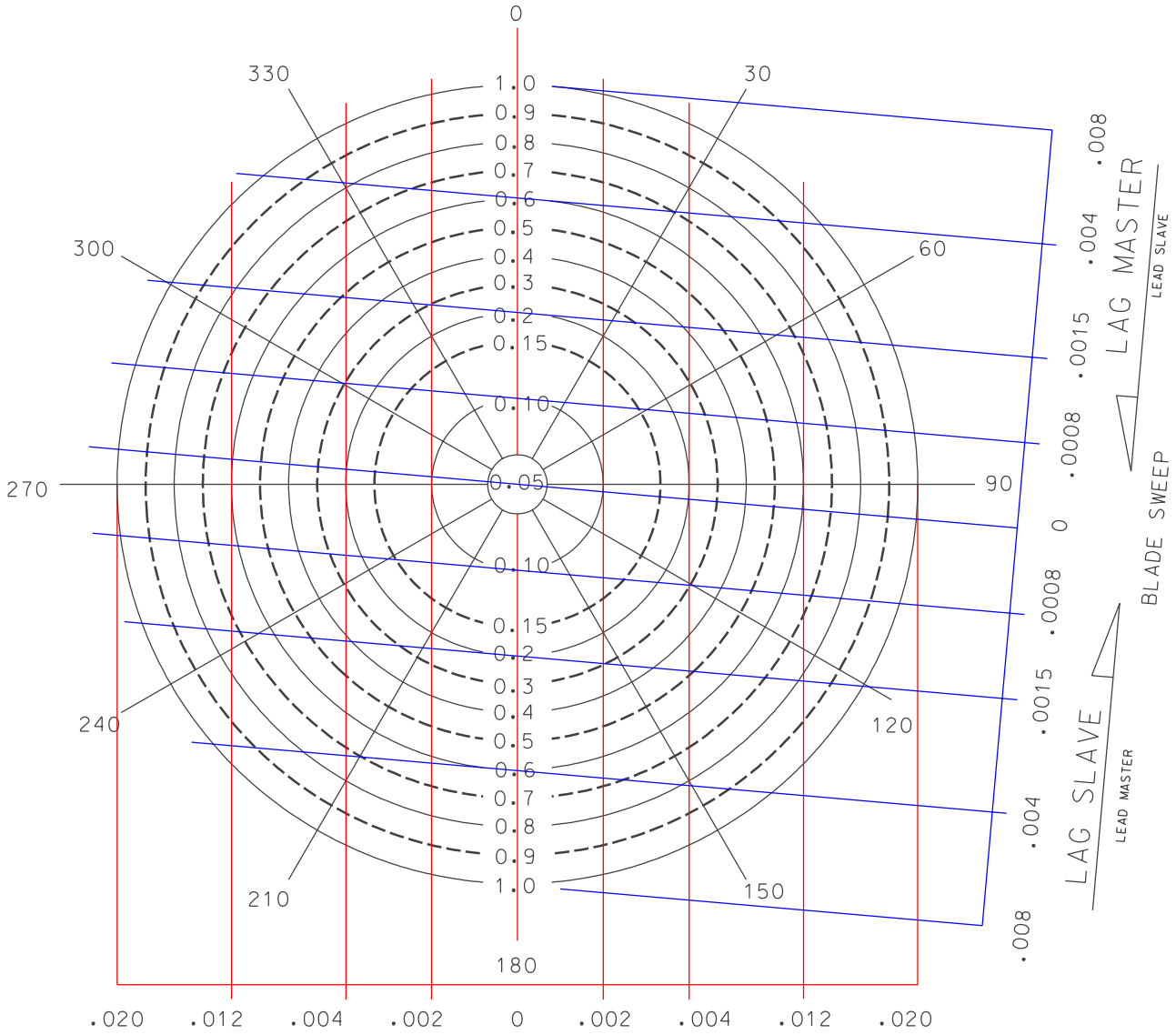


HOVER (LATERAL)

0



AT CRUISE (VERTICAL)



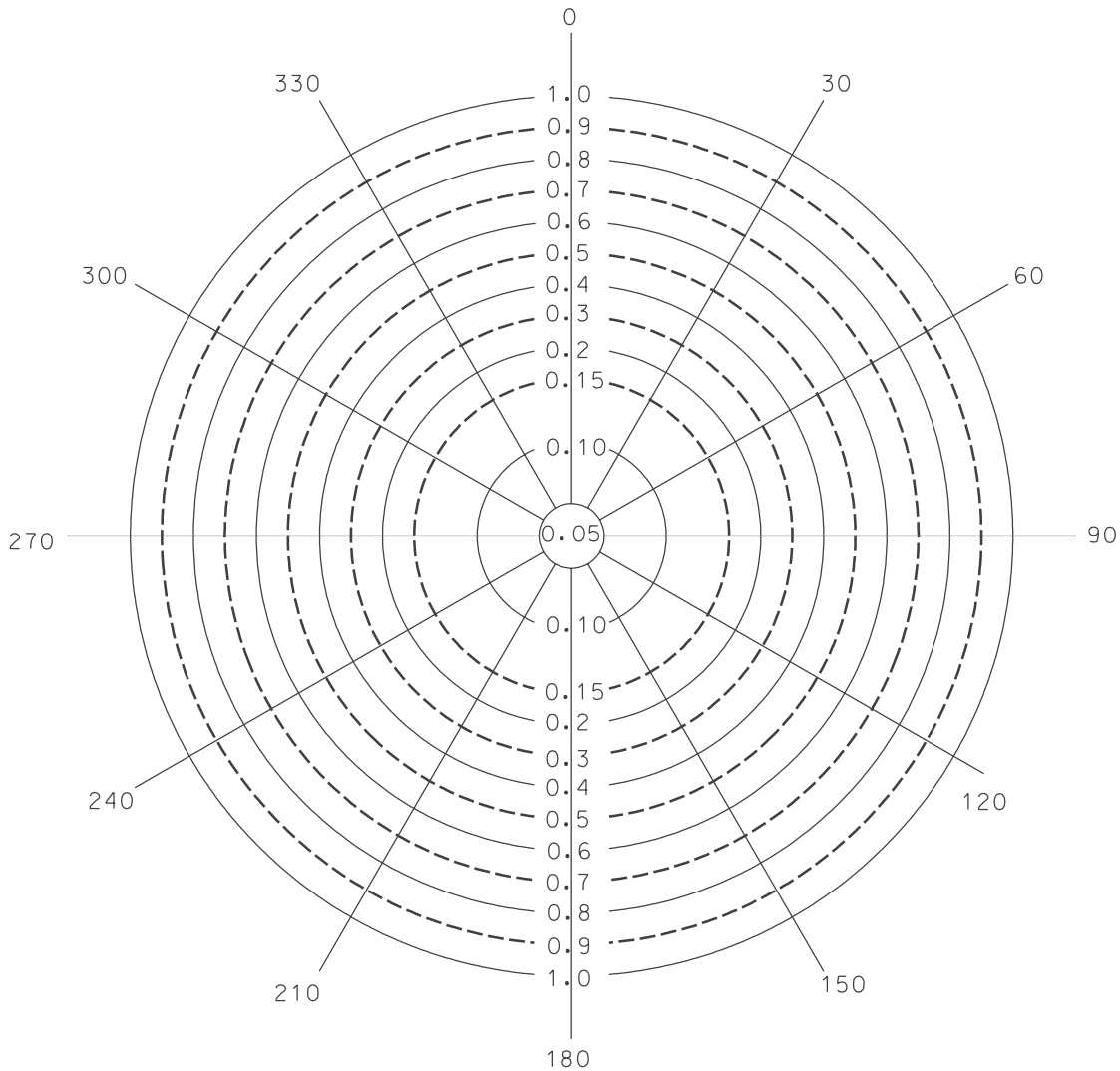
SLAVE UP
MASTER DOWN

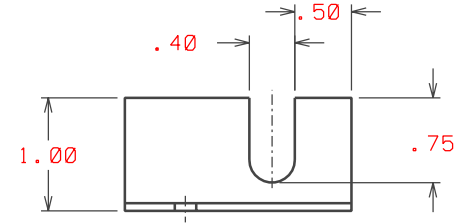
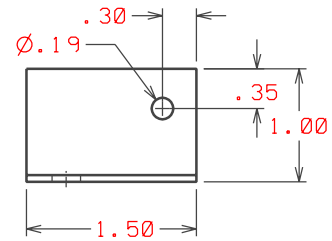
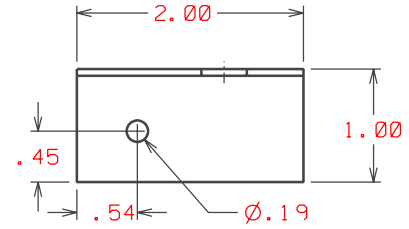
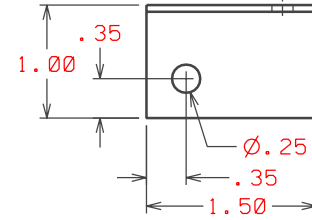
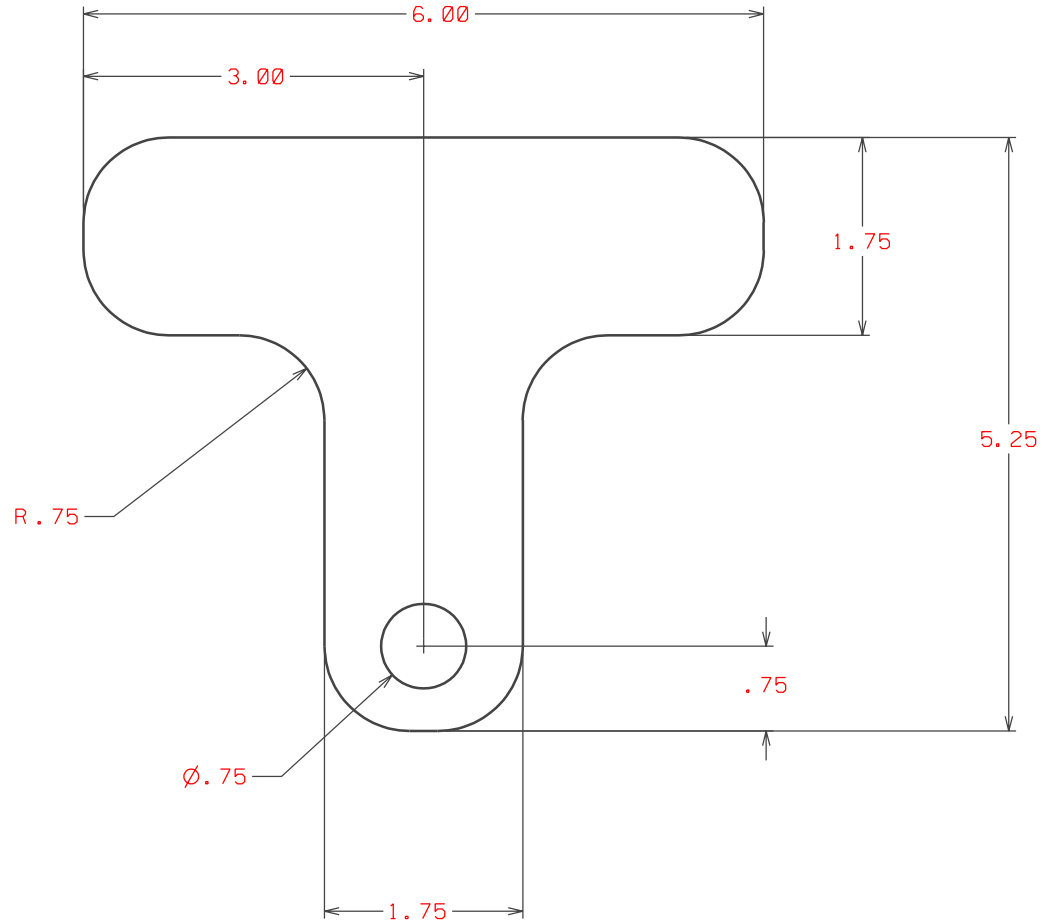
INCHES
TRAILING EDGE
REFLEX

MASTER UP
SLAVE DOWN

LAG SLAVE
LEAD SLAVE
LAG MASTER
LEAD MASTER
BLADE SWEEP

TAIL ROTOR





MATL: 0.060 THK ALUMINUM ANGL

MATL: 0.120 IN ALUMINUM